

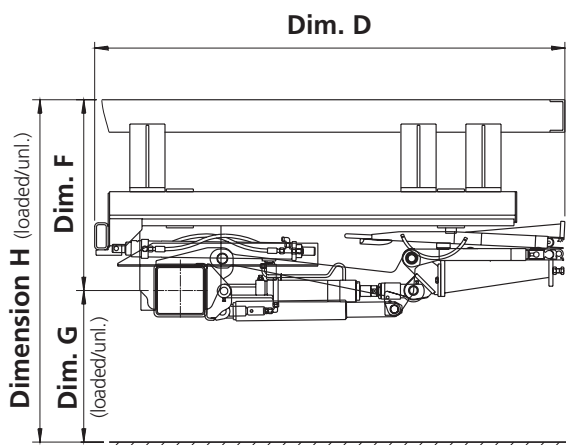


The MBB R 2000 S is a robust and retractable lift with a 1000 mm load centre. A push-pull cylinder aligned lengthwise moves the lift into the desired position. Stowing completely out of the way under the rear of the vehicle it is ideal for fork lift and dock loading operations. The KTL-coated lifts leave the factory fully assembled and supplied with kits ready for installation to trucks or trailers. The 2000 kg model's single fold platform is all aluminium. When stowed, the lift forms the vehicle's under-run bumper. The lifts are entirely operated by a user friendly MBB control system.

FEATURES: Fixed control • pendant control • platform auto levelling
• roll stops • flashing lights • foot controls

Heavy duty for heavy loads

PALFINGER



Weights

R 2000 S

Platf. type Alum./Alum.

Platform width (mm) 2300

Platform height (mm) 1820

Unit weight (kg) 665

Weight of retraction unit 175 kg



Dimensions

		R 2000 S
Lift arms (in mm)		900
H (max.)	Loading height unloaded	1444
H (min.)	Loading height loaded	1006
F (max.)	Middle of main beam to upper edge of loading floor	820
K (min.)	At dimension F (max.)	751
D (min.)	Installation space (min.)	1900
F (min.)		614
K (max.)	At dimension F (min.)	907
G (max.)	Unloaded (middle of main beam to ground)	624
G (min.)	Loaded	392
E (max.)	Vehicle frame width (max.)	920
E (min.)	Vehicle frame width (min.)	645

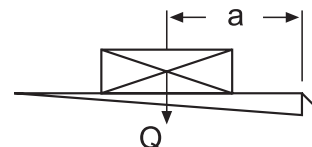
Technical data

		R 2000 S
Lifting capacity		2000 kg
Main beam		180x180 mm
Lifting gear hydraulics	2 x lift cylinder / 2 x tilt cylinder / 1 x moving cylinder	
Lift arm pitch		1300 mm
Load centre - lengthwise		1000 mm
Load centre - across centre	50 % of the full load on one side	
Inclination angle of the platform		+10° to -10°

Diagram

R 2000 S

a (mm)	Q (kg)
1000	2000
1200	1650
1500	1350
1800	1100



Disclaimer: The specified weights refer to the lightest platforms of the corresponding height. Dimensions may vary. Specifications subject to change without notice.

PALFINGER AUSTRALIA

PHONE: 13 27 26

palfinger.com.au

info@palfinger.com.au

A **Sime Darby** Motors Company

MELBOURNE • SYDNEY • NEWCASTLE • BRISBANE • PERTH