

# MBB F 1500 L

**PALFINGER**



The MBB F 1500 L is a lightweight, 2-cylinder tuckunder tail lift, with an aluminium platform capable of lifting 1500 kg at a 600mm load centre. Its folding platform stows under the vehicle chassis, providing clear access to the rear of the vehicle when required.

It comes with a large, 1415mm deep platform, designed for dry freight applications, making it ideal for lifting pallets and trolleys alike. With two lift-cylinders and parallel support arms, stable operation is ensured at all times.

Added safety is achieved with Palfinger's proven mechanical auto levelling system.

The powerpack is mounted in the main beam for low noise and protection against the elements.

**FEATURES:** Fixed control • pendant control • platform auto levelling  
• roll stops • flashing lights • foot controls

**PALFINGER AUSTRALIA**

**PHONE: 13 27 26**

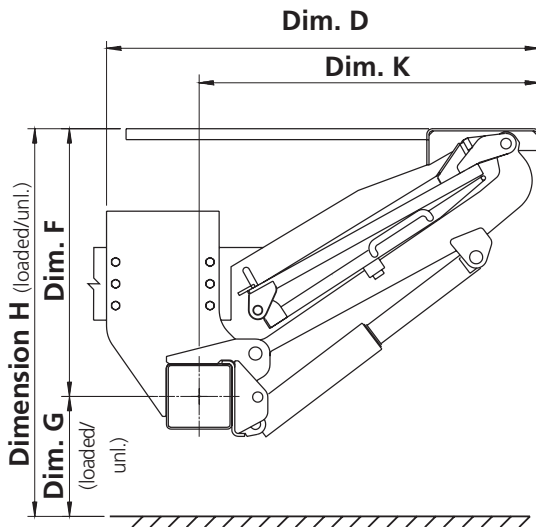
[palfinger.com.au](http://palfinger.com.au)   [info@palfinger.com.au](mailto:info@palfinger.com.au)

A  **Motors Company**

MELBOURNE • SYDNEY • NEWCASTLE • BRISBANE • PERTH

# Robust, and ideal for refrigerated vehicles

**PALFINGER**



## Dimensions

|                          |  | F 1500 L   |
|--------------------------|--|------------|
| <b>Lift arms (in mm)</b> |  | <b>900</b> |
| H (max.)                 | Loading height unloaded                            | 1455       |
| H (min.)                 | Loading height loaded                              | 1085       |
| F (max.)                 | Middle of main beam to upper edge of loading floor | 815        |
| K (min.)                 | At dimension F (max.)                              | 841        |
| D (min.)                 | Installation space (min.)                          | 1181       |
| F (min.)                 |  | 685        |
| K (max.)                 | At dimension F (min.)                              | 958        |
| D (max.)                 | Installation space (max.)                          | 1291       |
| G (max.)                 | Unloaded (middle of main beam to ground)           | 640        |
| G (min.)                 | Loaded   | 400        |
| E (max.)                 | Vehicle frame width (max.)                         | 980        |
| E (min.)                 | Vehicle frame width (min.)                         | 650        |

## Technical data

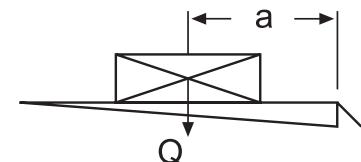
|                                   |  | F 1500 L                          |
|-----------------------------------|--|-----------------------------------|
| Lifting capacity                  |  | 1500 kg                           |
| Main beam                         |  | 180 x 180 mm                      |
| Lifting gear hydraulics           |  | 2 lifting cylinders               |
| Lift arm pitch                    |  | 1310 mm                           |
| Load centre - lengthwise          |  | 600 mm                            |
| Load centre - across centre       |  | 50 % of the full load on one side |
| Inclination angle of the platform |  | +8° to -8°                        |

## Weights

|                      |  | F 1500 L     |
|----------------------|--|--------------|
| <b>Platform type</b> |  | <b>Alum.</b> |
| width (mm)           |  | 2070         |
| height (mm)          |  | 1415         |
| weight (kg)          |  | 335          |

## Diagram

| F 1500 L |        |
|----------|--------|
| a (mm)   | Q (kg) |
| 600      | 1500   |
| 720      | 1250   |
| 900      | 1000   |
| 1200     | 750    |



Disclaimer: The specified weights refer to the lightest platforms of the corresponding height. Dimensions may vary. Specifications subject to change without notice.

**PALFINGER AUSTRALIA**

**PHONE: 13 27 26**

palfinger.com.au

info@palfinger.com.au

A **Sime Darby** Motors Company

MELBOURNE • SYDNEY • NEWCASTLE • BRISBANE • PERTH