

MBB C 3000 S

PALFINGER



The MBB C 3000 S lift has been cleverly designed to provide exceptionally stable four-cylinder operation capable of lifting goods up to 3000 kg, making it ideal for the transportation of the heaviest loads. It is available with either a steel or aluminium platform with a load centre of 1000 mm. A powerful, low-noise powerpack in the square main beam reduces noise during loading or unloading to a minimum.

FEATURES: Fixed control • pendant control • platform auto levelling
• roll stops • flashing lights • foot controls

PALFINGER AUSTRALIA

PHONE: 13 27 26

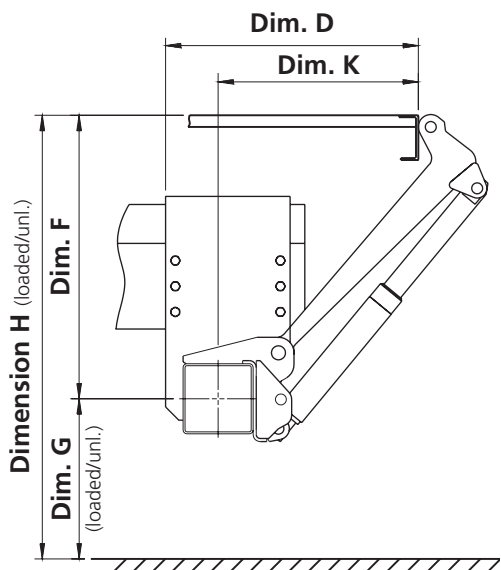
palfinger.com.au info@palfinger.com.au

A **Sime Darby** Motors Company

MELBOURNE • SYDNEY • NEWCASTLE • BRISBANE • PERTH

The most powerful lift in the range

PALFINGER



Weights **C 3000 S**

| Platform type | Alum. |
|----------------------|--------|
| Platform width (mm) | 2450 |
| Platform height (mm) | |
| 2200 | 737 kg |
| 2400 | 780 kg |
| 2600 | 823 kg |
| Adds to vehicle (mm) | 275* |

| Platform type | Steel |
|----------------------|---------|
| Platform width (mm) | 2450 |
| Platform height (mm) | |
| 2209 | 948 kg |
| 2409 | 980 kg |
| 2609 | 1001 kg |
| Adds to vehicle (mm) | 275* |

* Does not include seal kit or pressing

Dimensions

| C 3000 S | | |
|--------------------------|--|------------|
| Lift arms (in mm) | | 900 |
| H (max.) | Loading height unloaded | 1554 |
| H (min.) | Loading height loaded | 1030 |
| F (max.) | Middle of main beam to upper edge of loading floor | 924 |
| K (min.) | At dimension F (max.) | 652 |
| D (min.) | Installation space (min.) | 807 |
| F (min.) | | 645 |
| K (max.) | At dimension F (min.) | 901 |
| D (max.) | Installation space (max.) | 1056 |

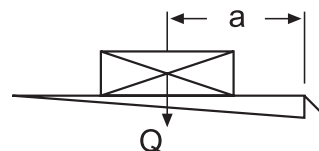
Technical data

| C 3000 S | |
|-----------------------------------|---------------------------------------|
| Lifting capacity | 3000 kg |
| Main beam | 190 x 190 mm |
| Lifting gear hydraulics | 2 x lift cylinder / 2 x tilt cylinder |
| Platform overlap with floor | - 72 mm |
| Lift arm pitch | 1300 mm |
| Load centre - lengthwise | 1000 mm |
| Load centre - across centre | 50 % of the full load on one side |
| Inclination angle of the platform | +90° to -10° |

Diagram

C 3000 S

| a (mm) | Q (kg) |
|--------|--------|
| 1000 | 3000 |
| 1200 | 2500 |
| 1500 | 2000 |
| 1800 | 1650 |
| 2400 | 1250 |



Disclaimer: The specified weights refer to the lightest platforms of the corresponding height. Dimensions may vary. Specifications subject to change without notice.

PALFINGER AUSTRALIA

PHONE: 13 27 26

palfinger.com.au

info@palfinger.com.au

A **Sime Darby** Motors Company

MELBOURNE • SYDNEY • NEWCASTLE • BRISBANE • PERTH