

MBB C 2000 S

PALFINGER



Lifting a full 2000 kg, the MBB C 2000 S is the tail lift of choice for the food and drink distribution industry. Its reliable and heavy duty four-cylinder lift mechanism is available with a wide variety of steel or aluminium platforms, up to a maximum height of 2600 mm.

FEATURES: Fixed control • pendant control • platform auto levelling
• roll stops • flashing lights • foot controls

PALFINGER AUSTRALIA

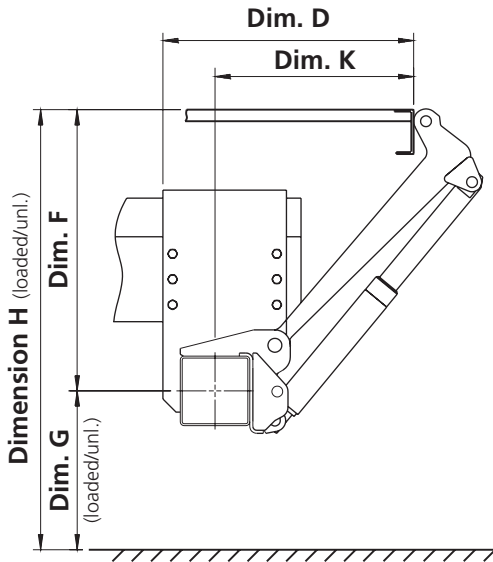
PHONE: 13 27 26

palfinger.com.au info@palfinger.com.au

A **Sime Darby** Motors Company

MELBOURNE • SYDNEY • NEWCASTLE • BRISBANE • PERTH

Ideal for heavier loads



Weights C 2000 S

Platform type	Alum.
Platform width (mm)	2450
Platform height (mm)	
2000	535 kg
2200	552 kg
2400	569 kg
2600	585 kg
2800	601 kg
Adds to vehicle (mm)	235*

Platform type	Steel
Platform width (mm)	2450
Platform height (mm)	
2009	691 kg
2209	718 kg
2409	745 kg
2609	771 kg
Adds to vehicle (mm)	235*

* Does not include seal kit or pressing



Dimensions

		C 2000 S
Lift arms (in mm)		800
H (max.)	Loading height unloaded	1345
H (min.)	Loading height loaded	916
F (max.)	Middle of main beam to upper edge of loading floor	785
K (min.)	At dimension F (max.)	641
D (min.)	Installation space (min.)	791
F (min.)		566
K (max.)	At dimension F (min.)	820
D (max.)	Installation space (max.)	970

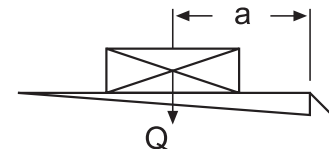
Technical data

		C 2000 S
Lifting capacity		2000 kg
Main beam		180 x 180 mm
Lifting gear hydraulics		2 x lift cylinder / 2 x tilt cylinder
Platform overlap with floor		- 63 mm
Lift arm pitch		1300 mm
Load centre - lengthwise		1000 mm
Load centre - across centre		50 % of the full load on one side
Inclination angle of the platform		+90° to -10°

Diagram

C 2000 S

a (mm)	Q (kg)
1000	2000
1250	1600
1600	1250
1900	1050
2200	910



Disclaimer: The specified weights refer to the lightest platforms of the corresponding height. Dimensions may vary. Specifications subject to change without notice.

PALFINGER AUSTRALIA

PHONE: 13 27 26

palfinger.com.au

info@palfinger.com.au



MELBOURNE • SYDNEY • NEWCASTLE • BRISBANE • PERTH