



PALFINGER



MBB 500 Van

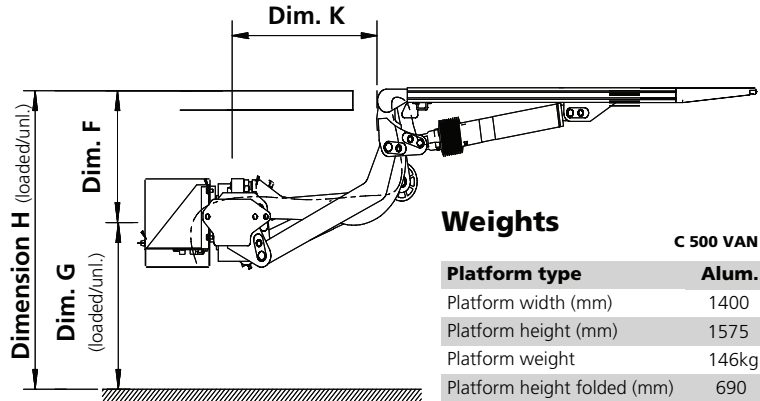
MBB C 500 VAN



The perfect solution for vans



The MBB C 500 VAN model has been specifically designed for factory-built vans and fits virtually all models. Weighing in 146kg and lifting a full 500kg at 600mm load centre the lift features open and close hydraulic function and delivered pre-wired with easy to-fit, van specific mounting brackets so no body modifications required.



Dimensions

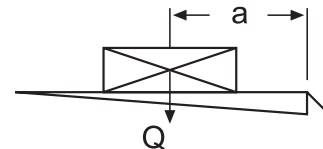
C 500 VAN		
Lift arms (in mm)		500
H (max.)	Loading height unloaded	780
H (min.)	Loading height loaded	450
F (max.)	Middle of main beam to upper edge of loading floor	340
K (min.)	At dimension F (max.)	546
D (min.)	Installation space (min.)	729
F (min.)		-
K (max.)	At dimension F (min.)	-
D (max.)	Installation space (max.)	-

Technical data

C 500 VAN	
Lifting capacity	500 kg
Main beam	110 x 110 mm
Lifting gear hydraulics	1 x lift cylinder / 1 x tilt cylinder
Platform overlap with floor	-
Lift arm pitch	600 mm
Load centre - lengthwise	600 mm
Load centre - across centre	100mm off-centre, 50% rated load one-sided
Inclination angle of the platform	+90° to -10°

Diagram

a (mm)	Q (kg)
600	500
700	430
820	360
1120	260



Disclaimer: The specified weights refer to the lightest platforms of the corresponding height. Dimensions may vary. Specifications subject to change without notice.

FEATURES: Fixed control • pendant control • platform auto levelling • roll stops • flashing lights.

PALFINGER AUSTRALIA

PHONE: 13 27 26

palfinger.com.au info@palfinger.com.au

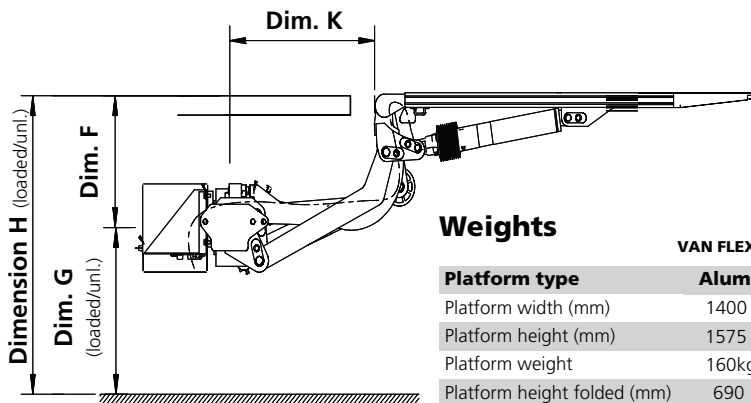


MELBOURNE • SYDNEY • NEWCASTLE • BRISBANE • PERTH

MBB C 500 VAN FLEX



The flexible solution for vans



Weights

VAN FLEX	
Platform type	Alum.
Platform width (mm)	1400
Platform height (mm)	1575
Platform weight	160kg
Platform height folded (mm)	690

Dimensions

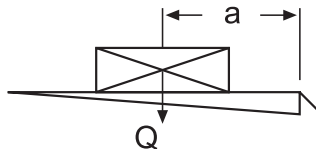
C 500 VAN FLEX		
Lift arms (in mm)		500
H (max.)	Loading height unloaded	780
H (min.)	Loading height loaded	450
F (max.)	Middle of main beam to upper edge of loading floor	340
K (min.)	At dimension F (max.)	546
D (min.)	Installation space (min.)	814 (926)
F (min.)		-
K (max.)	At dimension F (min.)	-
D (max.)	Installation space (max.)	-

Technical data

C 500 VAN FLEX	
Lifting capacity	500kg (600kg opt.)
Main beam	120 x 80 mm
Lifting gear hydraulics	1 x lift cylinder / 1 x tilt cylinder
Platform overlap with floor	510 mm
Lift arm pitch	600 mm
Load centre - lengthwise	600 mm
Load centre - across centre	100mm off-centre, 50% rated load one-sided
Inclination angle of the platform	+90° to -10°

Diagram

a (mm)	Q (kg)
600	500
700	430
820	360
1120	260



The MBB C 500 VAN FLEX models is specifically designed for factory-built vans and fits virtually all models. Weighing in 160kg and lifting a full 500kg at 600mm load centre the lift features open and close hydraulic function and provides full access to drivers side door without needing to lower the platform but when required the platform still provides full width functionality.

Disclaimer: The specified weights refer to the lightest platforms of the corresponding height. Dimensions may vary. Specifications subject to change without notice.

FEATURES: Fixed control • pendant control • platform auto levelling • roll stops • flashing lights.

PALFINGER AUSTRALIA

PHONE: 13 27 26

palfinger.com.au

info@palfinger.com.au



MELBOURNE • SYDNEY • NEWCASTLE • BRISBANE • PERTH



PALFINGER

LIFETIME EXCELLENCE



PALFINGER AUSTRALIA

PHONE: 13 27 26

palfinger.com.au

info@palfinger.com.au

A  **Motors Company**

MELBOURNE • SYDNEY • NEWCASTLE • BRISBANE • PERTH